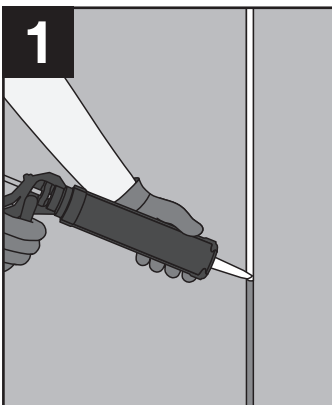




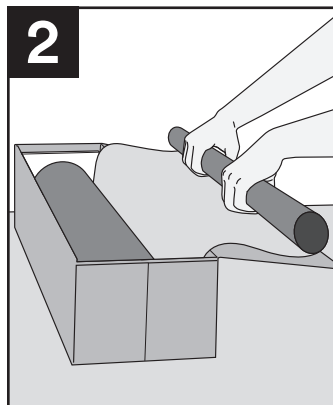
## 3M™ Air and Vapor Barrier 3015

3M™ Air and Vapor Barrier 3015 is an air, moisture and water impermeable membrane with an aggressive, high-tack acrylic adhesive that does not require the use of a primer on most construction surfaces. The acrylic adhesive does not contain plasticizers, so it is compatible with most common building products. 3M™ Air and Vapor Barrier 3015 is UV resistant for up to 12 months and can be applied in temperatures between 0°F and 150°F (-18°C and 66°C) ensuring that construction projects are not delayed due to severe temperatures. It even adheres to damp surfaces. The proprietary backing accepts a wide range of common sealants and meets nail sealability criteria per AAMA-711-07. 3M™ Air and Vapor Barrier 3015 passes NFPA 285 as part of various wall assemblies and has a Class A fire rating per ICC AC 38.

Refer to 3M™ Air and Vapor Barrier 3015 Specification Guide for detailed application information.



**1**  
Prepare the wall. Any gaps greater than 1/2" requires backer rod and caulk. Gaps from 1/4"–1/2" require caulk. Concrete walls should have any void areas filled and any fins, mortar joints or screws should be flush with the wall.



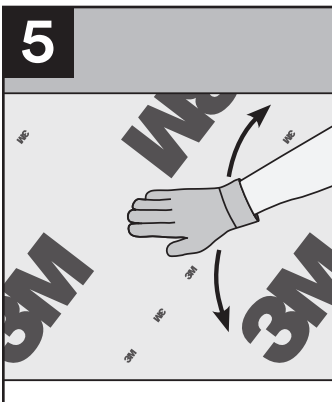
**2**  
The 3M™ Air and Vapor Barrier 3015 box can be used as a dispensing unit. Cut the material to the desired length. There are 6" tick marks that can be used for measuring.



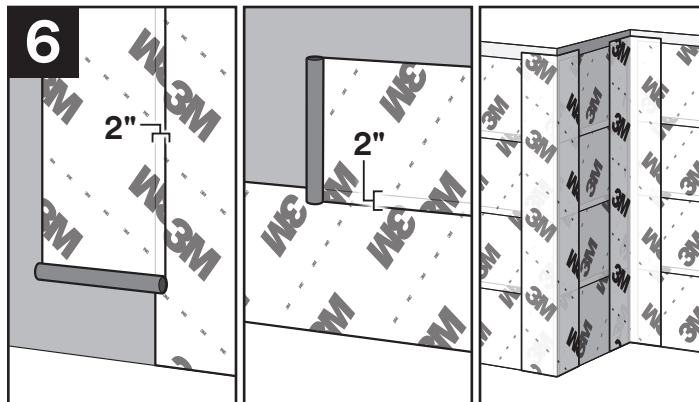
**3**  
An effective application technique for 3M™ Air and Vapor Barrier 3015 is to create a starter strip. To do this, create the release liner approx 1" and peel back to expose the adhesive on the air barrier.



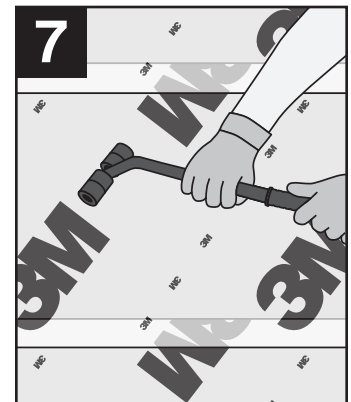
**4**  
Roll the membrane back against the wall to adhere the starter strip. Unwind the roll against the wall while simultaneously pulling the release liner.



**5**  
Wipe the membrane down with a feathering motion from the middle outward to obtain a smooth application.



**6**  
Continue applying 3M™ Air and Vapor Barrier 3015 until the entire surface is covered, ensuring a minimum of a 2" overlap. Apply in a shingle fashion starting at the bottom of the wall to prevent negative laps. 3M™ Air and Vapor Barrier 3015 can be applied vertically or horizontally as long as there is a minimum 2" overlap. Inside and outside corners require a minimum 2" wide double layer on each wall.



**7**  
All surface area covered with 3M™ Air and Vapor Barrier 3015 requires rolling with a J-roller to ensure a tight bond.

# 3M™ Air and Vapor Barrier 3015 Installation Best Practices

## Substrate Surface Requirements

3M™ Air and Vapor Barrier 3015 can be applied to a wide variety of sheathing substrates, typically without priming. Substrate condition is crucial to the adhesion performance of any adhesive membrane.

- Substrate surfaces must be free of grease, oil, un-bonded paint, corrosion or other substances that would adversely affect the adhesive bond between the membrane and substrate.
- Substrate surface must be dry to the touch for optimum performance.
- Substrate surface temperature must be between 0°F and 150°F (-18°C and 66°C).
- Rolls must be stored at a temperature between 0°F and 150°F (-18°C and 66°C) to ensure initial bond performance.

## Surface Preparation

- Fill gaps and cracks exceeding 1/4" but less than 1/2" width with 3M™ Polyurethane Construction Sealant 540 (or similar), and tool the surface flush and smooth.
- Fill gaps exceeding 1/2" width with closed cell foam backer rod, seal with 3M™ Polyurethane Construction Sealant 540 (or similar), and tool the surface flush and smooth.
- Concrete substrates shall have fins ground flush and void areas filled.
- Masonry substrates must have mortar joints struck flush.

## Substrate Specific Guidelines

- Exterior gypsum sheathing shall have moisture content below 19%, with no open joints or cracks wider than 1/2".
- Plywood sheathing shall have moisture content below 16%, with no open joints or cracks wider than 1/2".

## Details, Penetrations, Windows and Doors

It is recommended to detail window and door penetrations before installing the field membrane, but post-installation is acceptable. All penetrations, including windows and doors, must be installed in proper sequence for appropriate moisture management. 3M recommends using 3M™ Air and Vapor Barrier 3015, 3M™ Permeable Liquid Flashing Membrane 3015LF, or 3M™ Ultra Conformable Flashing Tape 3015UC for flashing and detail work. Penetrations should be additionally sealed with 3M™ Polyurethane Construction Sealant 540 (or similar) to achieve a weather-tight result.

